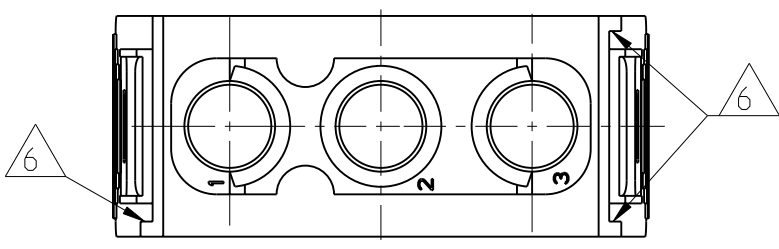


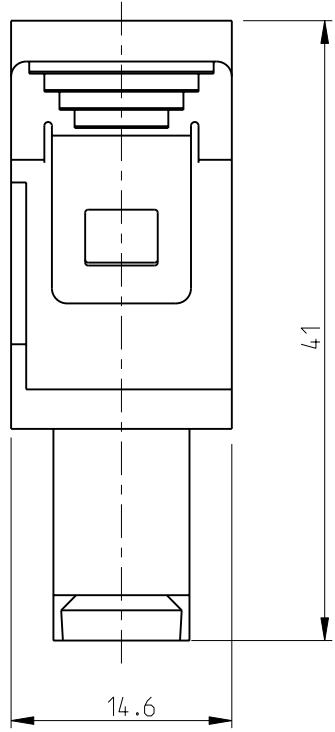
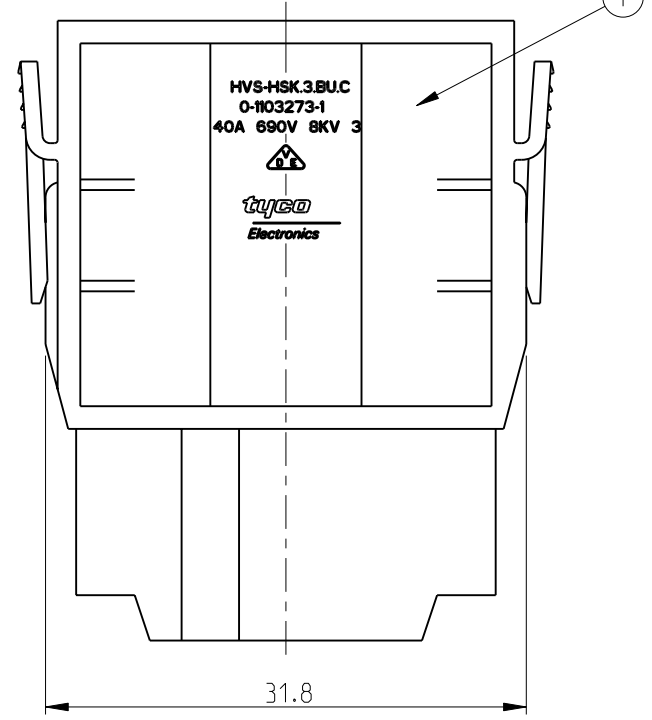
THIS DRAWING IS UNPUBLISHED. RELEASED FOR PUBLICATION 2000  
 PN 0-1 As Shown  
 © COPYRIGHT 2000 BY TYCO ELECTRONICS CORPORATION. ALL RIGHTS RESERVED.

LOC	DIST	REVISIONS				
P	LTR	DESCRIPTION	DATE	DWN	APVD	
	C1	ECR-10-023156	11NOV2010	SR	OH	

Contact arrangement view from connecting side

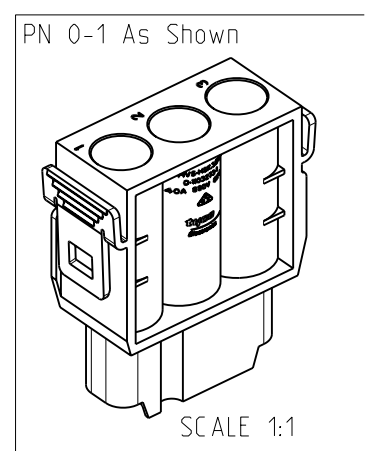


Print Image

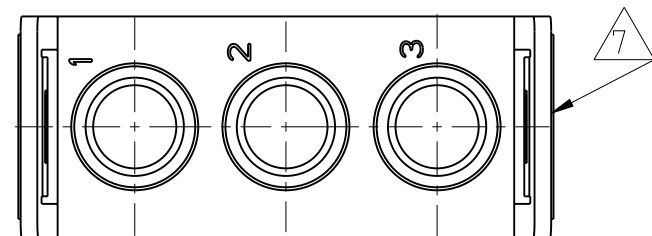


NOTES

- SUITABLE CRIMP CONTACTS: SERIES HSK  
 CUSTOMER DRAWING: 1108756  
 OUTER DIMENSIONS OF INSULATION: MAX. Ø8mm
  - SUITABLE MODULE FIXING FRAME: SERIES HVS SIZE 3 TO 8  
 CUSTOMER DRAWING: 1103250
  - SUITABLE INSERTION TOOL:  
 CUSTOMER DRAWING: 1102855
  - SUITABLE EXTRACTION TOOL:  
 CUSTOMER DRAWING: 1102855
  - STANDARDS:  
 DIN EN 61984; DIN EN 60664-1
- △6 POLARIZATION RIPS  
 △7 MARKING OF POLARIZATION ACCORDING TO MARKING OF MODULE FRAME
- PACKAGING:  
 10 PIECES IN A CARTON



Contact arrangement view from termination side



1	0-1	DESCRIPTION	MATERIAL	COLOR	ITEM NO
		FEMALE INSERT	PC-GF20	LYGHT GREY	1
HVS-HSK.3.Bu.C					

DIMENSIONS: mm 		TOLERANCES UNLESS OTHERWISE SPECIFIED: ISO 8075 DIN ISO 2768 mH-E DIN 16901-120 0 PLC ± 1 PLC ± 2 PLC ± 3 PLC ± 4 PLC ± ANGLES ±	
MATERIAL		FINISH	

DWN	20.02.2006
CHK	20.02.2006
APVD	20.02.2006
PRODUCT SPEC	108-74081
APPLICATION SPEC	114-74083
WEIGHT	

Tyco Electronics AMP GmbH 53757 Sankt Augustin, Germany			
NAME		FEMALE INSERT HVS-HSK.3.BU.C	
SIZE	CAGE CODE	DRAWING NO	RESTRICTED TO
A3	00779	1103273	
CUSTOMER DRAWING		SCALE	SHEET
		2:1	1 OF 1